



# MD 421-II



### Quick Guide

Kurzanleitung  
 Guide de démarrage rapide  
 Guida rapida  
 Instrucciones resumidas  
 Instruções resumidas  
 Beknopte gebruiksaanwijzing  
 Krótka instrukcja obsługi  
 Snabbguide

Kort vejledning  
 Pikaohje  
 Γρήγορος οδηγός  
 Kısa Kılavuz  
 Краткая инструкция  
 快速指南  
 快速使用指南  
 クイックガイド  
 퀵 가이드

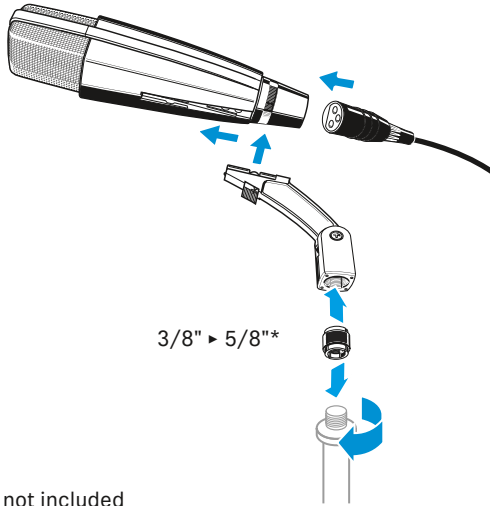
Sennheiser electronic GmbH & Co. KG

Am Labor 1, 30900 Wedemark, Germany  
www.sennheiser.com

Printed in Germany  
Publ. 11/22, 597221/A01

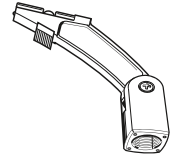
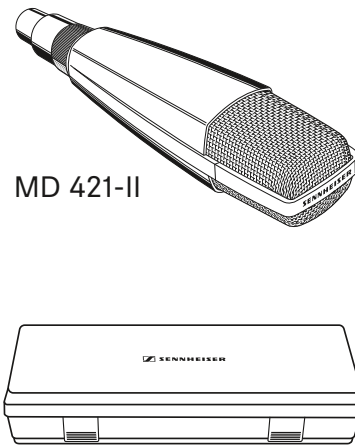
## SENNHEISER

### Setup

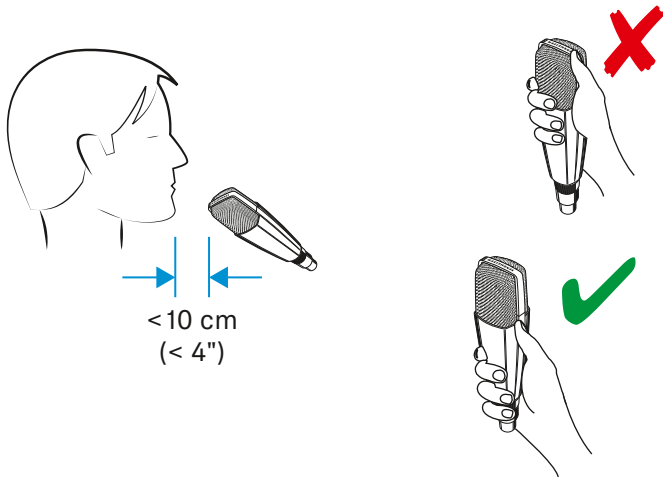


\*XLR-3 cable not included

### In the box



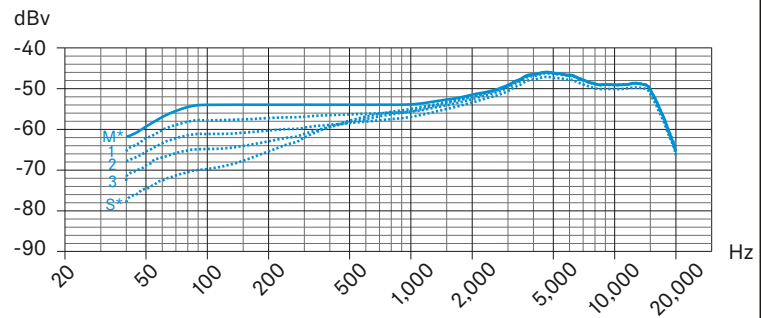
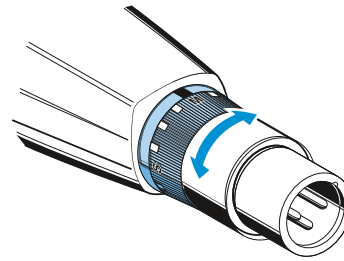
MZA 421



< 10 cm  
( < 4" )

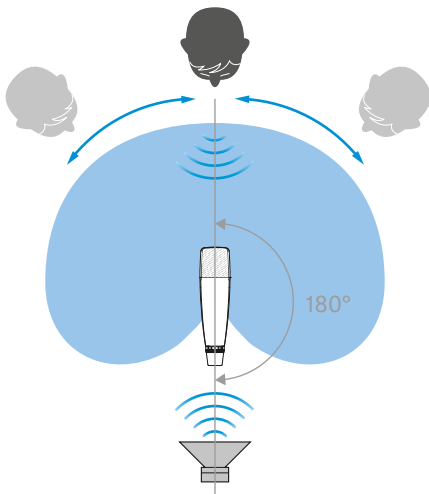
### Setup

#### Roll-off filter

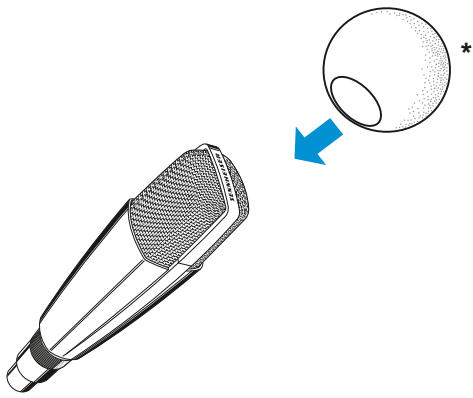


M\* = \_\_\_\_\_  
 1 = - - - - -  
 2 = . . . . .  
 3 = - - - - -  
 S\* = . . . . .

M\* = music    S\* = speech

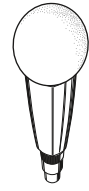
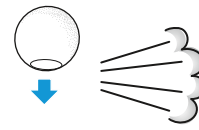


**Accessory**



MD 421-II

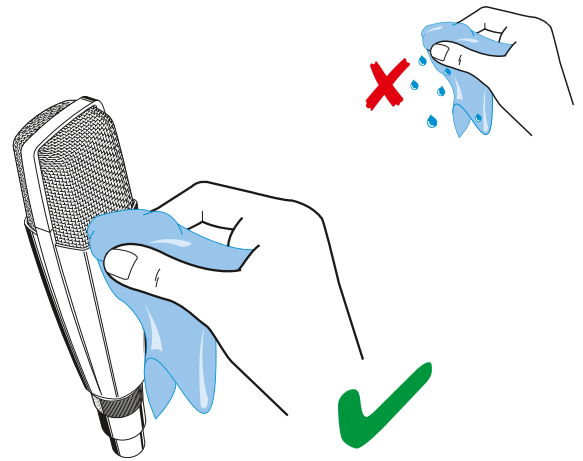
MZW 421



-20 dB

\*MZW 421 not included

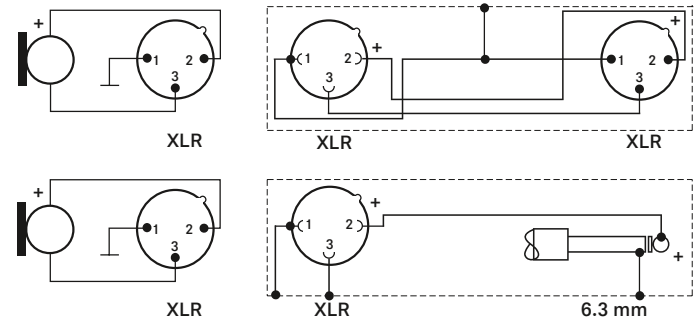
**Cleaning**



**Specifications**

Transducer principle	Pressure gradient transducer
Frequency response	30 - 17,000 Hz
Pick-up pattern	Cardioid
Sensitivity (free field, at 1 kHz)	2 mV/Pa ±3 dB
Electrical impedance	250 Ω
Min. terminating impedance	1 kΩ
Connector	XLR-3
Dimensions	215 x 46 x 49 mm
Weight	approx. 385 g

**Connector assignment**



**Polar pattern and frequency response**

